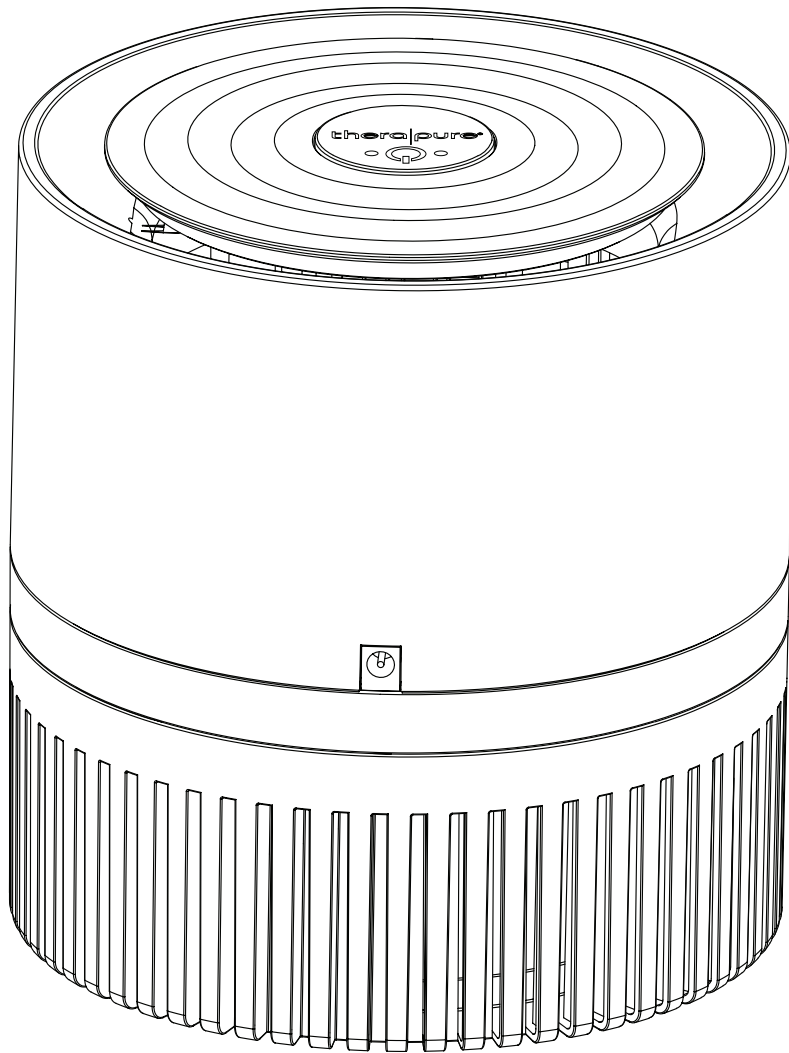


TPP100

thera|pure®
desktop air purifier

TPP100

thera|pure®
desktop air purifier



Thank you for purchasing the Therapure® TPP100 air purifier. This compact air purifier delivers cleaner, fresher, healthier air to smaller indoor environments in your home and office. Use this in the bathroom, in your cubicle, in closets & pantries, in RV's, and many other places where you want to breathe purer air. We want you to be fully satisfied with your Therapure® TPP100. That's why your Therapure® TPP100 comes with a one-year limited warranty.

Once you've experienced the purity of Therapure® air, visit us at our website to find out more ways to improve the quality of your air and your life with our premium products and upgrades.

Please be sure to read the following instructions carefully to ensure optimal performance and safety.

www.envionproducts.com

Therapure® by Envion, LLC
P.O. Box 9159
Van Nuys, CA 91409-8291
800.875.8577



TPP100

TABLE OF CONTENTS

SAFETY INSTRUCTIONS	2
PRODUCT BENEFITS	3
MAIN PARTS	4
OPERATING THE THERAPURE® TPP100 AIR PURIFIER	5
Air Purifier Specifications	5
Getting Ready	6
Controls/Settings	7
CLEANING & MAINTENANCE	9
Cleaning the Permanent Filter	9
Cleaning External Surfaces	10
TROUBLE-SHOOTING	11
ONE-YEAR LIMITED WARRANTY	12
ARBITRATION AGREEMENT	13

SAFETY INSTRUCTIONS

READ AND SAVE THESE INSTRUCTIONS

WARNING: RISK OF ELECTRICAL SHOCK

Safety precautions should always be used when operating this or any electrical appliance. Decrease the risk of electrocution, electric shock, injury or fire by reading and following all the warnings below.

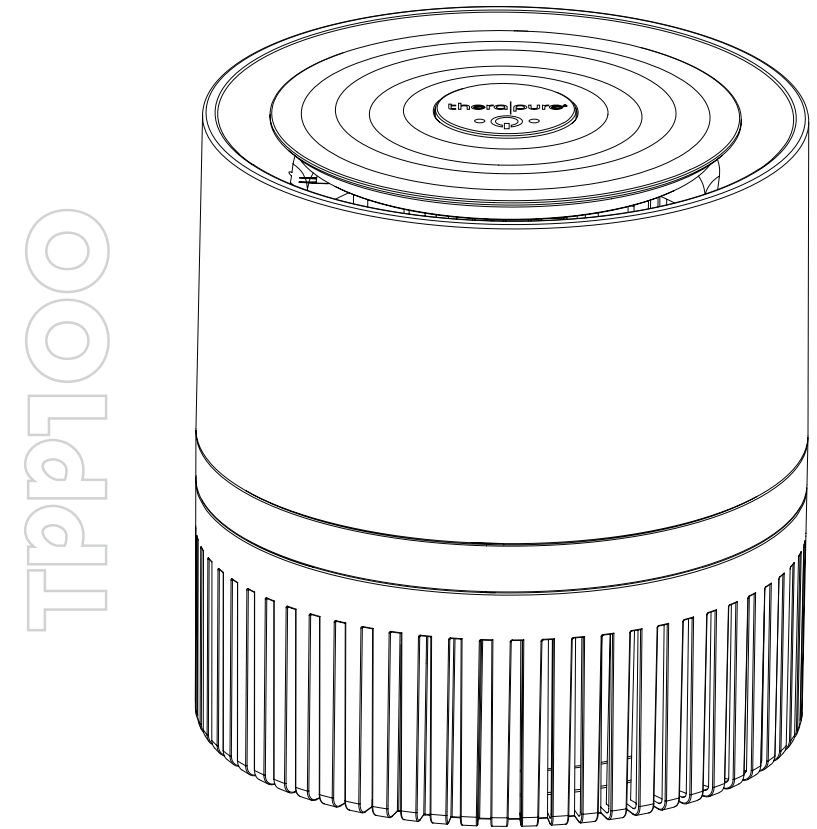
Use only as described in this Therapure® TPP100 manual. To reduce the risk of electric shock, do not attempt to service the product in any way other than in the manner described in the “Cleaning & Maintenance” section of this manual.

READ ALL INSTRUCTIONS BEFORE OPERATING THE AIR PURIFIER.

- » This product operates at 120V AC, 60Hz only.
- » Do not run cord under carpeting. Do not cover cord with throw rugs, runners, or similar coverings. Arrange cord away from traffic area and where it will not be tripped over.
- » Do not operate the product in any greasy environment, such as in the kitchen. This product is not intended to filter oil or grease from the air.
- » Do not use the Therapure® air purifier in bathrooms or other humid environments. Do not use near fireplaces or in areas where flammable or combustible vapors or products may exist.
- » Always unplug the power cord from the electrical outlet when the purifier is not in use, before cleaning, inserting or removing parts or before moving to another location.
- » Never run the air purifier unless it is fully assembled.
- » Always use the power adapter provided by Envion, LLC.
- » The power adapter may become warm during normal use.
- » Unplug the power adapter if any of the following conditions exist:
 - The plug part of the adapter or the adapter case has become damaged.
 - The adapter is exposed to rain, liquid or excessive moisture.
- » Always turn off all controls before unplugging the Therapure® air purifier from the outlet.
- » Attempting to service the Therapure® air purifier in any way that is not described in this owner’s manual will cause the warranty to be voided and could cause serious personal injury to the user and/or result in considerable damage to the unit.
- » Do not place the cord near a heated surface.
- » Do not operate this product with a damaged cord or plug. Discard the product or return to an authorized service facility for examination and/or repair.
- » Never use the power cord to pick up, carry, drag, pull, or lift the Therapure® air purifier. Do not pull the cord against or around sharp corners and edges. This could result in injury to the user or damage to the cord.
- » Always remove the plug from its power outlet by holding onto the plug itself and pulling gently.
- » Never pull on the cord itself to unplug it from its power outlet.
- » Use care when operating the Therapure® air purifier by keeping all foreign objects, fingers, body parts, hair, loose clothing and jewelry away from openings.
- » Never touch the Therapure® air purifier or its plug when your hands are wet.
- » The Therapure® air purifier is an electrical appliance. Adult supervision is required when operating the Therapure® TPP100 in the presence of children.
- » To reduce the risk of fire or electric shock, do not use this air purifier with any solid-state speed control devices.

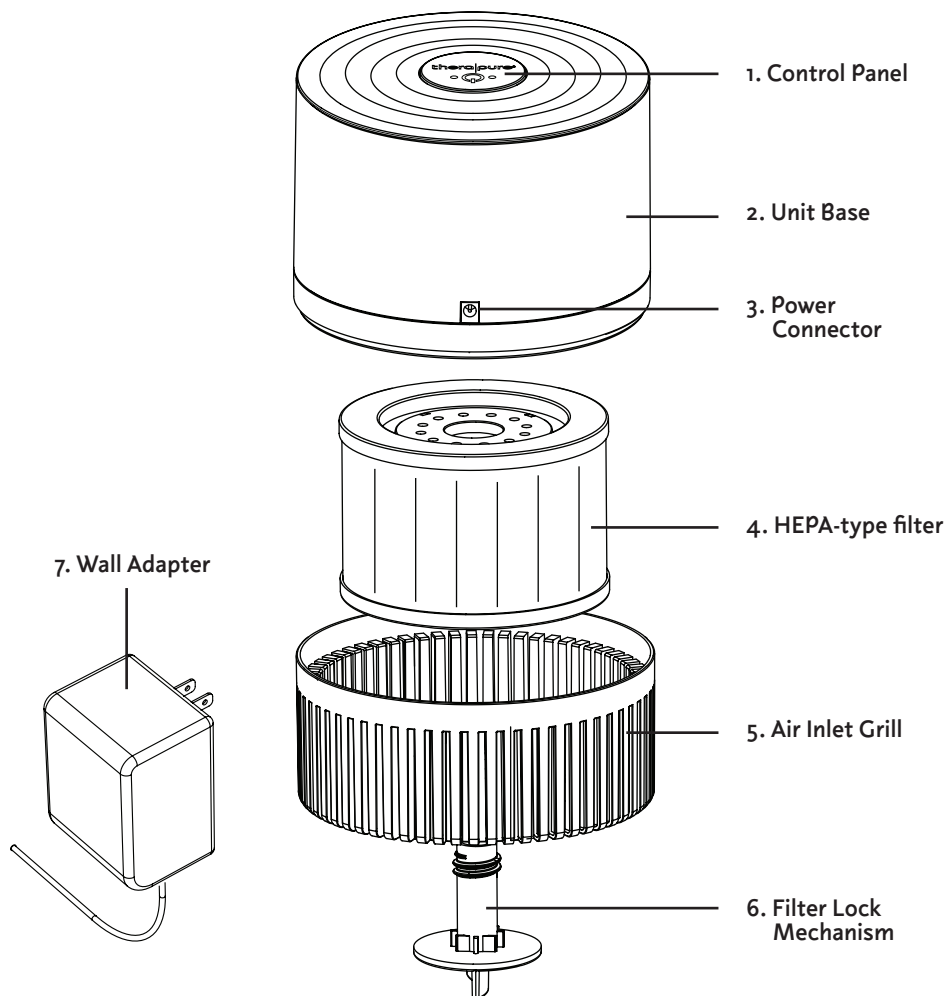
PRODUCT BENEFITS

- » Effectively removes smoke, pollen, dust, animal dander, dust mites, mold and bacteria from the treated air.



MAIN PARTS

1. **Control Panel:** On/Off, Speed
2. **Unit Base**
3. **Power Connector**
4. **Permanent HEPA-type nano silver filter**
5. **Air Inlet Grill**
6. **Filter Lock Mechanism**
7. **Wall Adapter**



OPERATING THE THERAPURE® TPP100

Before using the Therapure® air purifier, please read the following important information.

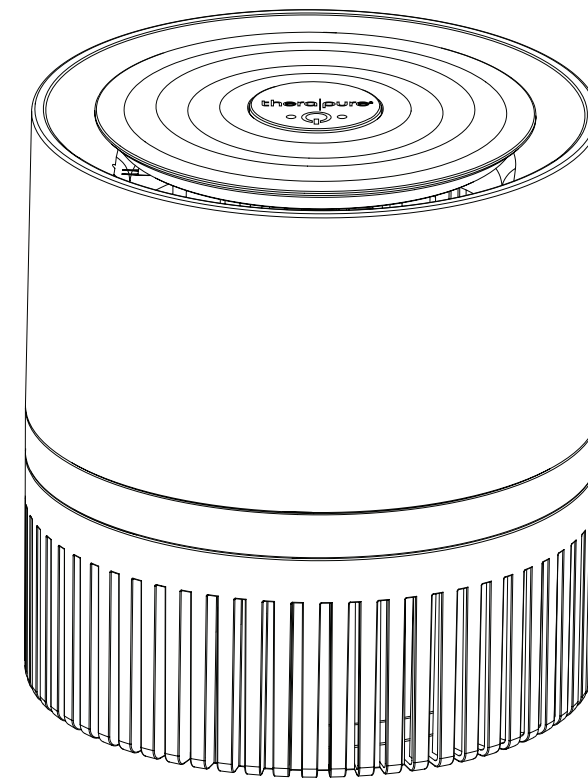
Electrical Ratings:

- 120V, 50/60 Hz
- Power consumption: 8 watts (0.5 ampere) at high fan speed,
- Net weight: 2 lbs
- Dimension (L x W x H): 7" x 7" x 7.5"

Replacement Parts:

Filter – TPP100F

Locate a level surface on which to place the Therapure® air purifier near a 120V outlet (follow warnings in the **“SAFETY INSTRUCTIONS”** and **“IMPORTANT WARNINGS”** sections of this manual). Position your Therapure® TPP100 at least one foot (12 inches) from the wall. Plug in the wall adapter into a 120 volt outlet and plug in the adapter pin into the power connector on the housing of the unit.



TPP100

OPERATING THE THERAPURE® TPP100

Before using the Therapure® air purifier, please read the following important information.

Safety

1. Do not place near fans.
2. Do not place the unit near curtains.
3. Do not place any object on top of the unit.
4. Keep both sides of the unit at least 1 foot away from a wall.
5. Placing the unit close to the source of air pollution is an effective way to improve indoor air quality.



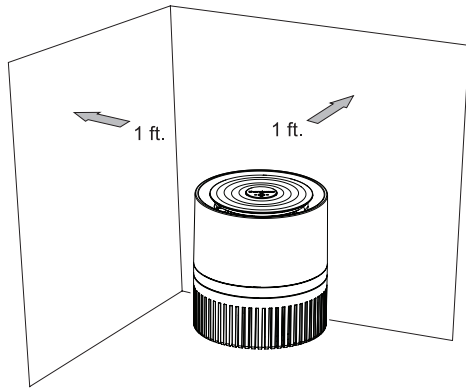
1.



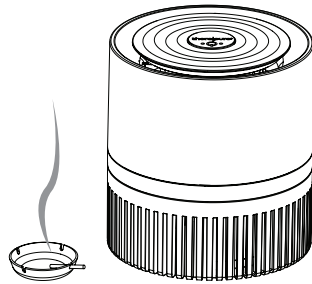
2.



3.



4.



5.

Note:

DO NOT run the Therapure® TPP100 with a broken filter. Replace the filter if the filter has a tear or a hole in it.

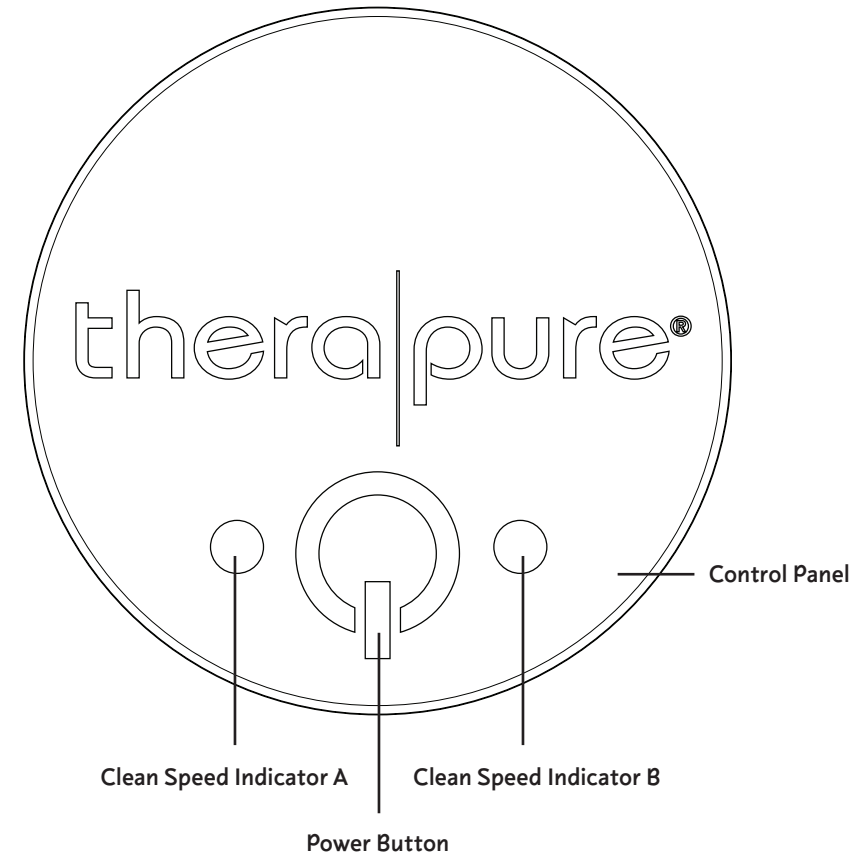
If the filter is damaged or needs replacement, please visit the Therapure® website at www.envionproducts.com to order for a replacement filter. Or call 1.800.875.8577.

OPERATING THE THERAPURE® TPP100

CONTROLS/SETTINGS:

Power Control – To operate the Therapure® air purifier, press the ON/OFF button to turn on the air purifier to the LOW speed setting. Press the button again to turn the unit to HIGH speed. Press the button again to turn the unit off.

Clean Speed Control – The Therapure® air purifier has two different speeds of cleaning, LOW and HIGH. Press “ON/OFF” button to cycle the settings and select the fan speed you desire. On LOW, clean speed indicator A will light up. On HIGH, clean speed indicators A & B will light up.



OPERATING THE THERAPURE® TPP100

Keep the Therapure® TPP100 functioning properly by cleaning the permanent HEPA-type filter every four weeks of use. More frequent cleaning will be necessary if the unit is located in an area with a high level of airborne contaminants (excessive amounts of smoke, pet dander, etc.).

Exposing the Therapure® TPP100 to candle/oil/fireplace soot and smoke is not recommended and will require more frequent cleaning.

NOTE: Always make sure the Therapure® TPP100 is turned off and unplugged before cleaning.

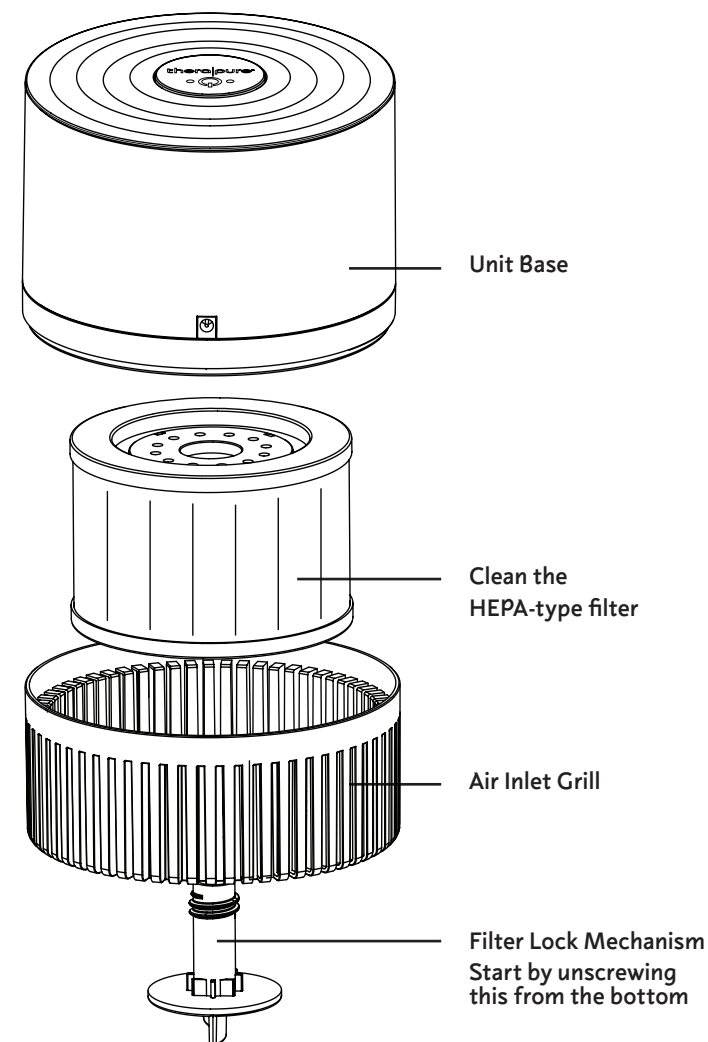
- >> **Vacuuming will restore performance of the permanent HEPA-type filter. However, the filter may appear stained. This is normal and does not affect performance in any way.**
- >> **Do not use water or any household cleaners or detergents to clean the permanent HEPA-type filter.**
- >> **The inlet grill may be cleaned (after unit is turned off and unplugged) with a vacuum or a slightly damp cloth.**

TPP100

CLEANING & MAINTENANCE

Cleaning the permanent HEPA-type filter

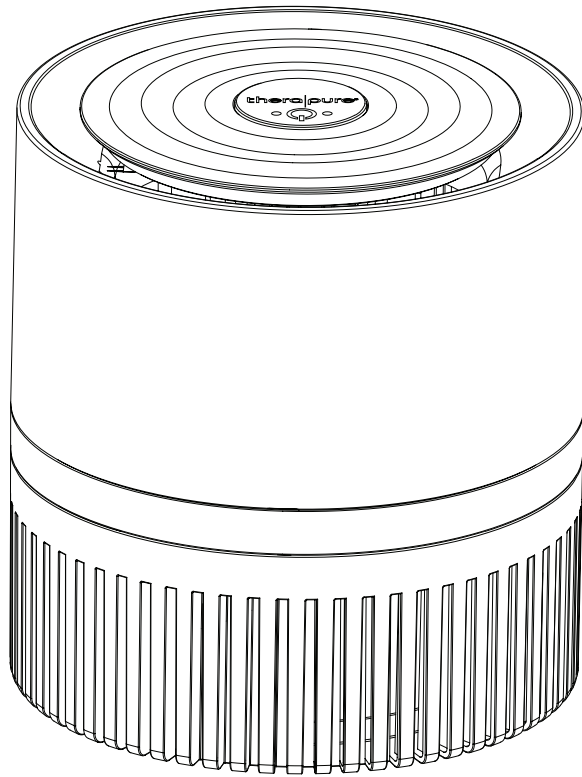
1. Turn off and unplug unit.
2. Unscrew the Filter Lock Mechanism by turning it counter-clockwise at the bottom of the unit (see diagram of Main Parts).
3. Remove the inlet grill from the unit as shown below.
4. Remove the HEPA-type filter from the air inlet grill.
5. To clean the permanent HEPA-type filter, use the brush or crevice attachment with a vacuum cleaner. Run the attachment along the inlet and outlet side of the filter, cleaning between the crevices as much as possible. **Do not use water or any household cleaners or detergents to clean the permanent HEPA-type filter.** Replace in reverse order.



CLEANING & MAINTENANCE

Cleaning External Surfaces

1. Turn off and unplug unit.
2. Use a washcloth slightly dampened with a little water and dishwashing soap to wipe the outer case surfaces.
3. Do not allow water to slip into the internal parts as this could damage your unit and result in electrical shock and injury to you.
4. Allow the unit to thoroughly dry before use.



TPP100

TROUBLESHOOTING

PROBLEM	REASON	SOLUTION
Unit will not operate.	Power button has not been turned on.	Press the Power button
	Unit is unplugged.	Check to ensure unit is plugged in.
		Check wall adapter is plugged into an outlet and the connector pin is firmly connected to the unit.
Reduced airflow or poor filtering.	The inlet or outlet grill may be blocked.	Check to ensure nothing is blocking air inlet & air outlet.
	Permanent filter may be clogged.	Check & clean filter, if necessary.

therapure®

ONE-YEAR LIMITED WARRANTY

ONE YEAR LIMITED WARRANTY

Your Therapure® air purifier is warranted to be free from defects in materials and workmanship for one year from the original purchase date. Should the product have a defect in materials or workmanship, we will repair or replace it without charge to you (a shipping and processing fee will apply). To obtain service under warranty, simply call our customer service center toll-free at **800.875.8577**.

This warranty does not cover damage caused by accident, misuse or any use other than as intended and described in this product manual, or damage resulting from failure to maintain and clean this product as specified in this product manual. This warranty applies only to the original purchaser of the Therapure® TPP100 air purifier.

ALL EXPRESS AND IMPLIED WARRANTIES FOR THIS PRODUCT, INCLUDING IMPLIED WARRANTIES OF MERCHANTABILITY AND FITNESS FOR A PARTICULAR PURPOSE, ARE LIMITED IN DURATION TO THE WARRANTY PERIOD, AND NO WARRANTIES, WHETHER EXPRESS OR IMPLIED, WILL APPLY AFTER THIS PERIOD.

Some states do not allow limitations on the duration of implied warranties, so the above limitation may not apply to you. While this warranty gives you specific legal rights, you may also have other rights which may vary from state to state.

Contact Info for Warranty Service:

Therapure® by Envion LLC

P.O. Box 9159 | Van Nuys, CA | 91409-8291
1.800.875.8577 | www.envionproducts.com

© 2014 Envion, LLC. All Rights Reserved. Patents pending.

TPP100

thera|pure
desktop air purifier

by **ENVION**®

ARBITRATION AGREEMENT

PLEASE READ THIS AGREEMENT CAREFULLY. YOU ACCEPT THE TERMS OF THIS AGREEMENT BY RETAINING THE PRODUCT(S) SHIPPED IN CONNECTION WITH THIS AGREEMENT (THE "PRODUCTS") FOR MORE THAN THIRTY (30) DAYS AFTER RECEIPT. IF YOU DO NOT AGREE TO THE TERMS OF THIS AGREEMENT, YOU MAY RETURN THE PRODUCT TO COMPANY WITHIN THIRTY (30) DAYS OF RECEIPT FOR A FULL REFUND.

THIS ARBITRATION AGREEMENT ("AGREEMENT") CONTAINS A MANDATORY ARBITRATION PROVISION THAT AFFECTS YOUR LEGAL RIGHTS AND REMEDIES BY PROVIDING THAT DISPUTES BETWEEN YOU AND THE MANUFACTURER, DISTRIBUTOR AND/OR SELLER OF THIS PRODUCT (COLLECTIVELY, "COMPANY"), MUST BE RESOLVED THROUGH BINDING ARBITRATION AND NOT IN COURT. IT ALSO PROVIDES THAT ANY DISPUTE CANNOT BE RESOLVED IN A CLASS ACTION OR OTHER PROCEEDING WHERE YOU REPRESENT OTHER PERSONS OR OTHER PERSONS REPRESENT YOU, AND THAT NO CLASS OR REPRESENTATIVE ARBITRATIONS ARE PERMITTED. PLEASE CAREFULLY READ ALL TERMS IN THIS AGREEMENT.

1. RESOLUTION OF CLAIMS OR DISPUTES.

Any claim or dispute between you and Company (or any of Company's subsidiaries or affiliates) arising out of or relating in any way to the Product or this Agreement shall be resolved through final, binding arbitration. This arbitration obligation is reciprocally binding on both you and the Company and applies regardless of whether the claim or dispute involves a tort, fraud, misrepresentation, product liability, negligence, violation of a statute, or any other legal theory. Both you and Company specifically acknowledge and agree that you waive your right to bring a lawsuit based on such claims or disputes and to have such lawsuit resolved by a judge or jury.

2. LIMITATION OF LEGAL REMEDIES.

All arbitrations under this Agreement shall be conducted on an individual (and not a class-wide) basis, and an arbitrator shall have no authority to award class-wide relief. You acknowledge and agree that this Agreement specifically prohibits you and the Company from commencing arbitration proceedings as a representative of others or joining in any arbitration proceedings brought by any other person. The parties agree that no class or representative actions of any type are permitted.

3. ARBITRATION PROCEDURES.

- Before instituting an arbitration, if you have any dispute, we strongly encourage you to contact the Company to try to resolve the matter by calling 800-218-3560, although you are not required to do so.
- The arbitration of any claim or dispute under this Agreement shall be conducted in accordance with the expedited procedures set forth in the JAMS Comprehensive Arbitration Rules and Procedures as those Rules exist on the date you receive the Product, including Rules 16.1 and 16.2 of those Rules. These rules and procedures are available by calling JAMS or by visiting its web site at www.jamsadr.com. The arbitration of any claim or dispute under this Agreement shall be conducted by an arbitrator who has at least five years of experience conducting arbitrations.
- The arbitration of any claim or dispute under this Agreement shall be conducted in the State of California or the location in which you received this Agreement. For claims of \$10,000 or less, you may choose whether the arbitration proceeds in person, by telephone, or based only on submissions.
- The Company shall pay costs for the arbitration of claims, including any JAMS Case Management Fee and all professional fees for the arbitrator's services. The Company shall pay the fees and costs of its own counsel, experts and witnesses and shall not be able to recoup them from you even if you do not prevail in the arbitration. Unless otherwise provided by law, you acknowledge and agree that you shall pay the fees and costs of your own counsel, experts and witnesses.

4. CHOICE OF LAW.

The arbitration provisions of this Agreement and any arbitration conducted pursuant to the terms of this Agreement shall be governed by the Federal Arbitration Act (9 U.S.C. Secs. 1-16). In this respect, the parties acknowledge that this Agreement involves a transaction conducted in interstate commerce. Otherwise, this Agreement and the rights of the parties hereunder shall be governed by and construed in accordance with the laws of the State of California, exclusive of conflict or choice of law rules.

5. SEVERABILITY.

If any provision of this Agreement is declared or found to be unlawful, unenforceable or void, such provision will be ineffective only to the extent that it is found unlawful, unenforceable or void, and the remainder of the provision and all other provisions shall remain fully enforceable.